



WCM Installation Guide

Download Manuals
<http://manual.blueeyes.com.tw>

Remote transmitter and wireless receiver

This product is with the function of coding self-learn. Make sure the code of remote transmitter has been learned into the receiver before using. (16 kinds of codes can be learned.)

[Operation way]

1. Press the learn button, indicator turns green. Press any key of the remote transmitter.
 2. Two flashes of green light—the transmitter has been learned by the controller successfully.
- * Return to standby mode in 3 seconds.

[Delete method]

1. Press the learn button for 5s, green light flashing, all codes have been deleted successfully.
- * Can't be deleted one by one.

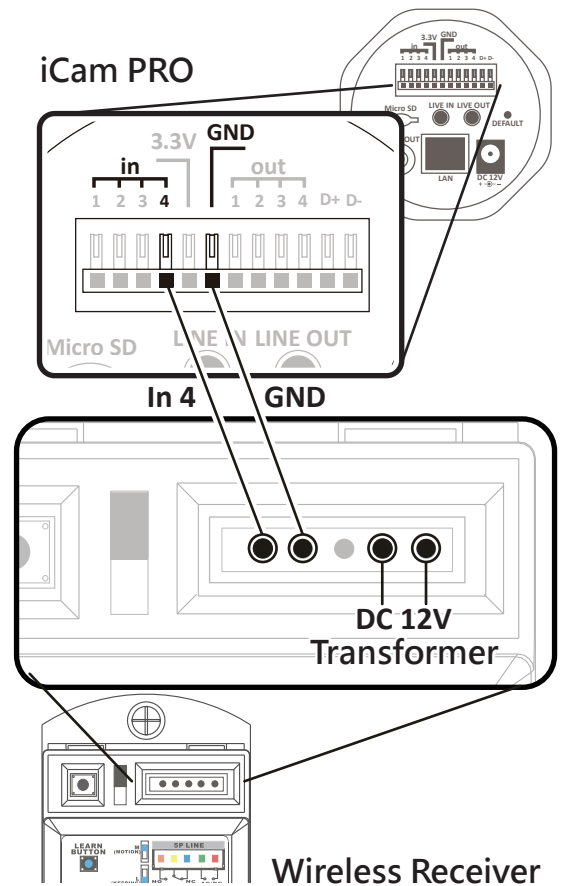
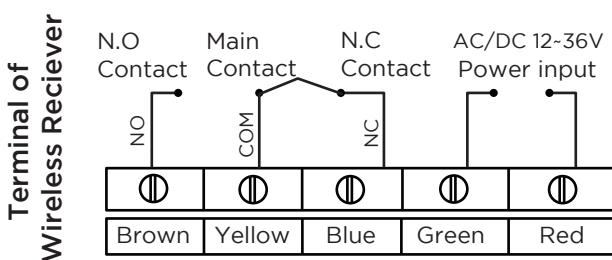
Settings about SES

1. Settings→Advanced→Settings of iCamPRO DI
2. Select DI switch enabled, choosing trigger type, set start recording, duration is 240 mins, and select rec off. Remember to save the settings.

Assemble wireless receiver

Power should be cut in case of switching the function (there are two types: L-type or M-type. Switch to M-type). Otherwise, the receiver maintains the previous state.

Please follow the picture to assemble iCam PRO and transformer.



Wireless Receiver Specifications

Power	AC/DC 12~36V
Current/Working current	15mA/ 80mA
Power capability	20A 14V DC
Connector link keeping time	2 seconds
Dimensions	123mm(L) x 50mm(W) x 32mm(H)
Weight	150 grams

Remote Control Specifications

Power	12V 23A
Battery life	Press more than 60,000 times
Control distance	> 50 meters (normal value)
Operation temperature	-42°C~45°C
Operation humidity	10%~90% RH (condensing)

* The type of battery is 23A 12V, you can find it at convenience store, book store or electric material store.