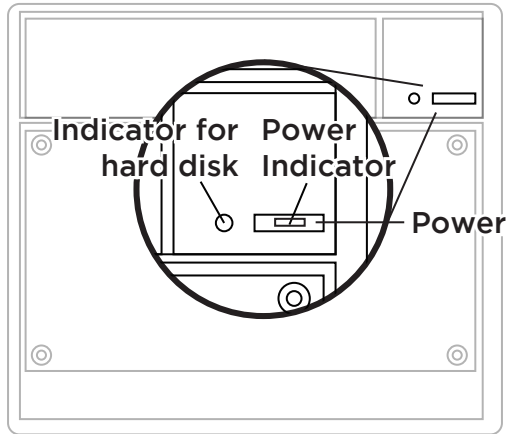




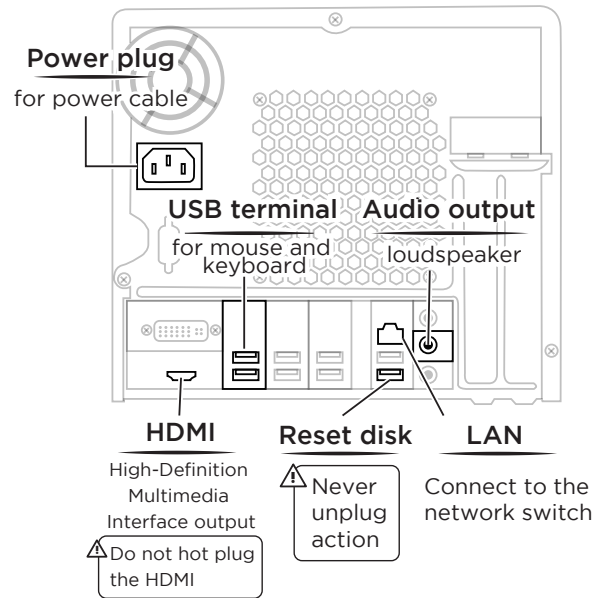
SES Installation Guide

Download Manuals
<http://manual.blueeyes.com.tw>

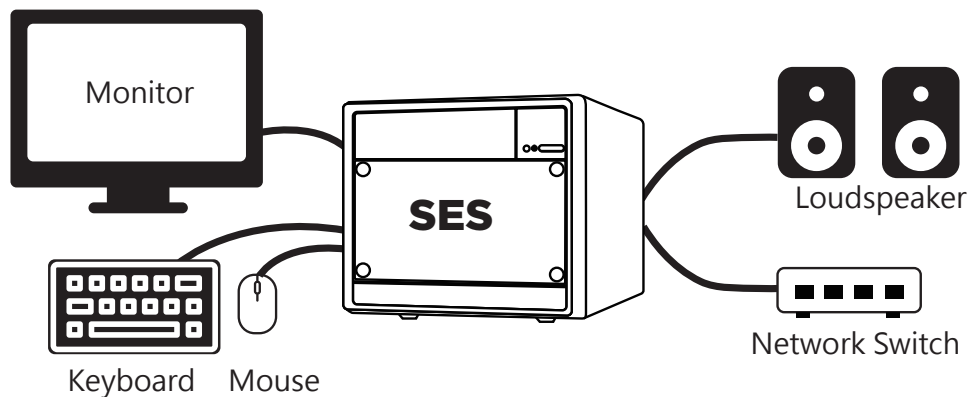
FRONT



BACK



■ Diagram



■ Boot

Please make sure power, network, keyboard, mouse, loudspeaker and monitor are connection.

■ Modify IP of SES

- (1) SES → Press → Start → Control Panel → Network and Internet → Network and Sharing Center → Change adapter → Ethernet → Settings → Select Internet Protocol Version 4 (TCP / IPv4) → Settings
- (2) Based on network environment to modify IP address

SES Network Default	
IP	192.168.1.169
Subnet Mask	255.255.255.0
Default Gateway	192.168.1.1

■ IP setting of iCam/iCam PRO at SES

- (1) SES → Settings → iCam → Enabled
- (2) Setting related info of camera. Please find the default below

Camera Default	
ID	root
PWD	27507522